
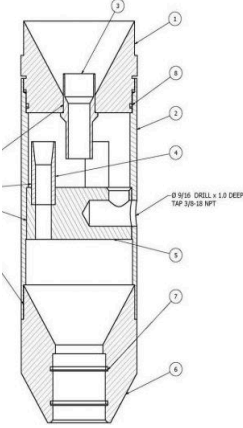
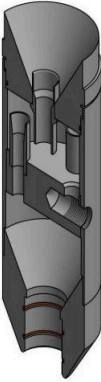


Products Description

Product name:	PM10 inlet lower volume	Model Number:	PM10-LV
Assembly request:	Match most brand electronic parts	Application:	Outdoor air sampler
Measure:	271.5x247.2x401.4mm		PM10 lower volume
Weight:	2.5KGS	Main Material:	Aluminum Alloy
Craft Process:	metal spinning / CNC	Surface treatment:	High brushed, anodized
Packing box meas.:	32x30.5x44cm	Warranty:	5years

Product name:	PM2.5 filter	Model Number:	PM2.5-FL
Assembly request:	Match most brand electronic parts	Application:	Outdoor air sampler
Measure:	165x157x65mm		PM2.5 filter
Weight:	1.0KGS	Main Material:	Aluminum Alloy
Craft Process:	metal spinning / CNC	Surface treatment:	High brushed, anodized
Packing box meas.:	19x18x9cm	Warranty:	5years

